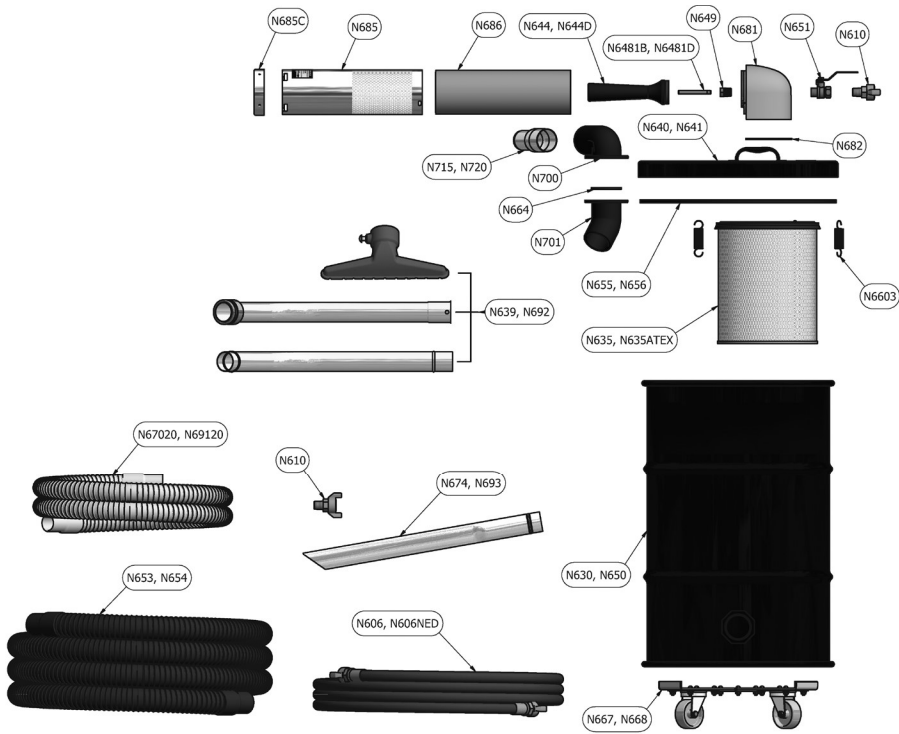


PARTS LISTS

55 AND 30 GALLON SINGLE VENTURI VACUUM KIT



Part Number	Description
N606	3/4" ID X 20' Air Supply Hose
N606NED	3/4" ID X 20' Static Conductive Air Supply Hose
N610	1/2" NPT Chicago Coupler
N630	30 Gallon Steel Drum
N635	Standard Cartridge Filter For 30/55 Gallon Vacuums
N635ATEX	ATEX Bonded Cartridge Filter
N639	12" Wide Aluminum Floor Tool With 4' Steel Double Curved Wand For 2" Vacuum Hose
N640	Lid For 30 Gallon Drum
N641	Lid For 55 Gallon Drum
N644	B Series Venturi
N644D	D & S Series Venturi
N6481B	B Series Orifice
N6481D	D Series Orifice
N649	1/2" X 1/8" NPT Brass Hex Reducing Bushing For Air Jet
N650	55 Gallon Steel Drum
N651	1/2" NPT Ball Valve, Brass For Compressed Air Shut-Off
N653	1.5" X 20' Static Conductive Vacuum Hose
N654	2" X 20' Static Conductive Vacuum Hose
N655	30 Gallon Vacuum Lid Gasket
N656	55 Gallon Vacuum Lid Gasket
N6603	Retaining Spring (Set of 3)
N664	Elbow Gasket
N667	30 Gallon Dolly Assembly
N668	55 Gallon Dolly Assembly
N67020	2" X 20' Standard Duty Vinyl Vacuum Hose
N674	24" Steel Crevice Tool For 2" Vacuum Hose
N681	Venturi Box
N682	Venturi Box Gasket
N685	Exhaust Housing-Long
N685C	Exhaust Housing End Cap
N686	Exhaust Silencer Foam Insert
N69120	1.5" X 20' Standard Duty Vinyl Vacuum Hose
N692	12" Wide Aluminum Wet/Dry Floor Tool Kit For 1.5" Vacuum Hose
N693	24" Aluminum Crevice Tool For 1.5" Vacuum Hose
N700	Inlet Elbow For 30/55 Gallon Vacuums
N701	Discharge Elbow For 30/55 Gallon Vacuums
N715	1.5" Vacuum Hose Adapter
N720	2" Vacuum Hose Adapter

55 AND 30 GALLON DUAL VENTURI VACUUM KIT

Part Number	Description
N606	3/4" ID X 20' Air Supply Hose
N606NED	3/4" ID X 20' Static Conductive Air Supply Hose
N610	1/2" NPT Chicago Coupler
N635	Standard Cartridge Filter For 30/55 Gallon Vacuums
N635ATEX	ATEX Bonded Cartridge Filter
N639	12" Wide Aluminum Floor Tool With 4' Steel Double Curved Wand For 2" Vacuum Hose
N641	Lid For 55 Gallon Drum
N644	B Series Venturi
N644D	D & S Series Venturi
N6481B	B Series Orifice
N649	1/2" X 1/8" NPT Brass Hex Reducing Bushing For Air Jet
N650	55 Gallon Steel Drum
N653	1.5" X 20' Static Conductive Vacuum Hose
N654	2" X 20' Static Conductive Vacuum Hose
N655	30 Gallon Vacuum Lid Gasket
N656	55 Gallon Vacuum Lid Gasket
N6603	Retaining Spring (Set of 3)
N664	Elbow Gasket
N668	55 Gallon Dolly Assembly
N67020	2" X 20' Standard Duty Vinyl Vacuum Hose
N674	24" Steel Crevice Tool For 2" Vacuum Hose
N681	Venturi Box
N682	Venturi Box Gasket
N685	Exhaust Housing-Long
N685C	Exhaust Housing End Cap
N686	Exhaust Silencer Foam Insert
N688	Dual Venturi Box Gasket
N69120	1.5" X 20' Standard Duty Vinyl Vacuum Hose
N692	12" Wide Aluminum Wet/Dry Floor Tool Kit For 1.5" Vacuum Hose
N693	24" Aluminum Crevice Tool For 1.5" Vacuum Hose
N700	Inlet Elbow For 30/55 Gallon Vacuums
N701	Discharge Elbow For 30/55 Gallon Vacuums
N715	1.5" Vacuum Hose Adapter
N720	2" Vacuum Hose Adapter

